

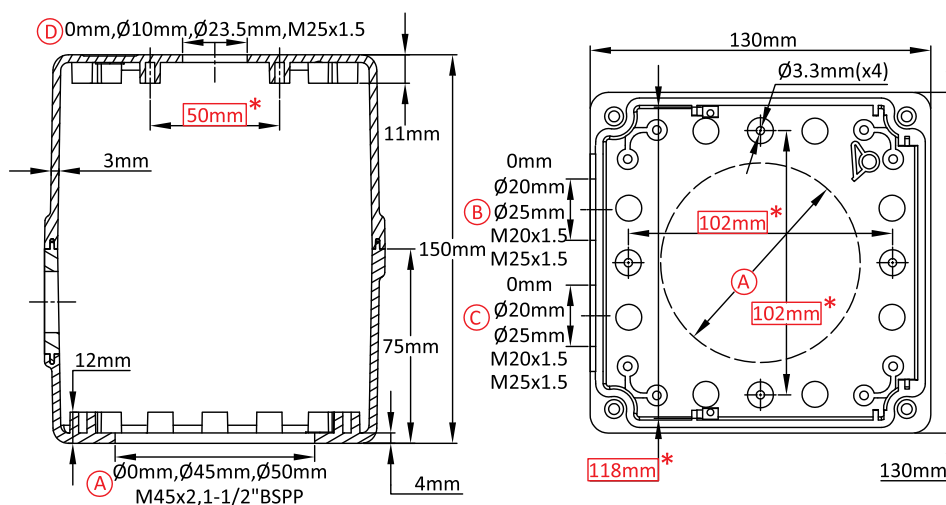
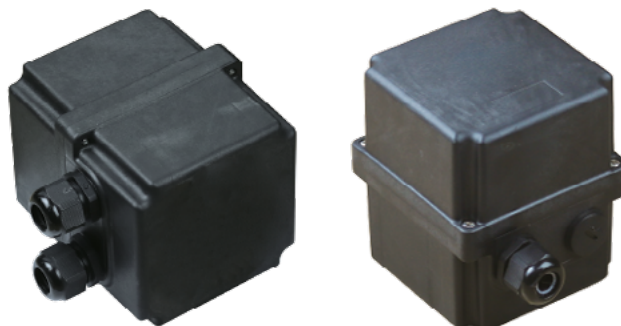
# Alloggiamento di grandi dimensioni per riscaldatore a immersione, sensore di temperatura, sensore di livello o comandi



Dimensioni (mm)	Volume(cm <sup>3</sup> )	Materiale	Grado di protezione		Modello
<b>130 X 130 X 150</b>	<b>2530</b>	<b>PA66</b>	<b>IP69K</b>	<b>IK10</b>	<b>Y307</b> <b>(P1)</b>

## Adatto per

- Sensore di temperatura
- Riscaldatore a immersione
- Riscaldatore alettato
- Termostato
- Sensore di livello
- Scheda elettronica



## Riferimenti principali

A (mm)	B (mm)	C (mm)	D (mm)	Riferimenti	A (mm)	B (mm)	C (mm)	D (mm)	Riferimenti
0	0	0	0	Y30700000000000T	0	20	20	10	Y307000A2200000T
0	0	0	10	Y307000A0000000T	0	20	20	23.5	Y307000D2200000T
0	0	0	23.5	Y307000D0000000T	0	20	20	M25x1.5	Y307000F2200000T
0	0	0	M25x1.5	Y307000F0000000T	0	25	25	0	Y30700002250000T
0	0	20	0	Y30700001200000T	0	25	25	10	Y307000A2250000T
0	0	20	10	Y307000A1200000T	0	25	25	23.5	Y307000D2250000T
0	0	20	23.5	Y307000D1200000T	0	25	25	M25x1.5	Y307000F2250000T
0	0	20	M25x1.5	Y307000F1200000T	0	M20x1.5	M20x1.5	0	Y30700002T00000T
0	0	25	0	Y30700001250000T	0	M20x1.5	M20x1.5	10	Y307000A2T00000T
0	0	25	10	Y307000A1250000T	0	M20x1.5	M20x1.5	23.5	Y307000D2T00000T
0	0	25	23.5	Y307000D1250000T	0	M20x1.5	M20x1.5	M25x1.5	Y307000F2T00000T
0	0	25	M25x1.5	Y307000F1250000T	0	M25x1.5	M25x1.5	0	Y30700002T50000T
0	0	M20x1.5	0	Y30700001T00000T	0	M25x1.5	M25x1.5	10	Y307000A2T50000T
0	0	M20x1.5	10	Y307000A1T00000T	0	M25x1.5	M25x1.5	23.5	Y307000D2T50000T
0	0	M20x1.5	23.5	Y307000D1T00000T	0	M25x1.5	M25x1.5	M25x1.5	Y307000F2T50000T
0	0	M20x1.5	M25x1.5	Y307000F1T00000T	45	0	0	0	Y30745000000000T
0	0	M25x1.5	0	Y30700001T50000T	45	0	0	10	Y307450A0000000T
0	0	M25x1.5	10	Y307000A1T50000T	45	0	0	23.5	Y307450D0000000T
0	0	M25x1.5	23.5	Y307000D1T50000T	45	0	0	M25x1.5	Y307450F0000000T
0	0	M25x1.5	M25x1.5	Y307000F1T50000T	45	0	20	0	Y30745001200000T
0	20	20	0	Y30700002200000T	45	0	20	10	Y307450A1200000T

I pressacavi non sono inclusi in questi riferimenti, consultateci se li desiderate.

Le dimensioni in rosso all'interno delle cornici rettangolari sui disegni sono utilizzate per il montaggio degli accessori.

A causa del costante miglioramento dei nostri prodotti, i disegni, le descrizioni e le caratteristiche utilizzate in queste schede tecniche sono solo a titolo indicativo e possono essere modificate senza preavviso.

# Alloggiamento di grandi dimensioni per riscaldatore a immersione, sensore di temperatura, sensore di livello o comandi

**Y307  
(P2)**



A causa del costante miglioramento dei nostri prodotti, i disegni, le descrizioni e le caratteristiche utilizzate in queste schede tecniche sono solo a titolo indicativo e possono essere modificate senza preavviso.

A (mm)	B (mm)	C (mm)	D (mm)	Riferimenti	A (mm)	B (mm)	C (mm)	D (mm)	Riferimenti
45	0	20	23.5	Y307450D1200000T	M45x2	0	0	M25x1.5	Y307M45F0000000T
45	0	20	M25x1.5	Y307450F1200000T	M45x2	0	20	0	Y307M4501200000T
45	0	25	0	Y30745001250000T	M45x2	0	20	10	Y307M45A1200000T
45	0	25	10	Y307450A1250000T	M45x2	0	20	23.5	Y307M45D1200000T
45	0	25	23.5	Y307450D1250000T	M45x2	0	20	M25x1.5	Y307M45F1200000T
45	0	25	M25x1.5	Y307450F1250000T	M45x2	0	25	0	Y307M4501250000T
45	0	M20x1.5	0	Y30745001T00000T	M45x2	0	25	10	Y307M45A1250000T
45	0	M20x1.5	10	Y307450A1T00000T	M45x2	0	25	23.5	Y307M45D1250000T
45	0	M20x1.5	23.5	Y307450D1T00000T	M45x2	0	25	M25x1.5	Y307M45F1250000T
45	0	M20x1.5	M25x1.5	Y307450F1T00000T	M45x2	0	M20x1.5	0	Y307M4501T00000T
45	0	M25x1.5	0	Y30745001T50000T	M45x2	0	M20x1.5	10	Y307M45A1T00000T
45	0	M25x1.5	10	Y307450A1T50000T	M45x2	0	M20x1.5	23.5	Y307M45D1T00000T
45	0	M25x1.5	23.5	Y307450D1T50000T	M45x2	0	M20x1.5	M25x1.5	Y307M45F1T00000T
45	0	M25x1.5	M25x1.5	Y307450F1T50000T	M45x2	0	M25x1.5	0	Y307M4501T50000T
45	20	20	0	Y30745002200000T	M45x2	0	M25x1.5	10	Y307M45A1T50000T
45	20	20	10	Y307450A2200000T	M45x2	0	M25x1.5	23.5	Y307M45D1T50000T
45	20	20	23.5	Y307450D2200000T	M45x2	0	M25x1.5	M25x1.5	Y307M45F1T50000T
45	20	20	M25x1.5	Y307450F2200000T	M45x2	20	20	0	Y307M4502200000T
45	25	25	0	Y30745002250000T	M45x2	20	20	10	Y307M45A2200000T
45	25	25	10	Y307450A2250000T	M45x2	20	20	23.5	Y307M45D2200000T
45	25	25	23.5	Y307450D2250000T	M45x2	20	20	M25x1.5	Y307M45F2200000T
45	25	25	M25x1.5	Y307450F2250000T	M45x2	25	25	0	Y307M4502250000T
45	M20x1.5	M20x1.5	0	Y30745002T00000T	M45x2	25	25	10	Y307M45A2250000T
45	M20x1.5	M20x1.5	10	Y307450A2T00000T	M45x2	25	25	23.5	Y307M45D2250000T
45	M20x1.5	M20x1.5	23.5	Y307450D2T00000T	M45x2	25	25	M25x1.5	Y307M45F2250000T
45	M20x1.5	M20x1.5	M25x1.5	Y307450F2T00000T	M45x2	M20x1.5	M20x1.5	0	Y307M4502T00000T
45	M25x1.5	M25x1.5	0	Y30745002T50000T	M45x2	M20x1.5	M20x1.5	10	Y307M45A2T00000T
45	M25x1.5	M25x1.5	10	Y307450A2T50000T	M45x2	M20x1.5	M20x1.5	23.5	Y307M45D2T00000T
45	M25x1.5	M25x1.5	23.5	Y307450D2T50000T	M45x2	M20x1.5	M20x1.5	M25x1.5	Y307M45F2T00000T
45	M25x1.5	M25x1.5	M25x1.5	Y307450F2T50000T	M45x2	M25x1.5	M25x1.5	0	Y307M4502T50000T
50	0	0	0	Y307500000000000T	M45x2	M25x1.5	M25x1.5	10	Y307M45A2T50000T
50	0	0	10	Y307500A00000000T	M45x2	M25x1.5	M25x1.5	23.5	Y307M45D2T50000T
50	0	0	23.5	Y307500D00000000T	M45x2	M25x1.5	M25x1.5	M25x1.5	Y307M45F2T50000T
50	0	0	M25x1.5	Y307500F00000000T	1½"BSPP	0	0	0	Y307BA200000000T
50	0	20	0	Y307500A1200000T	1½"BSPP	0	0	10	Y307BA2A0000000T
50	0	20	10	Y307500A1200000T	1½"BSPP	0	0	23.5	Y307BA2D0000000T
50	0	20	23.5	Y307500D1200000T	1½"BSPP	0	0	M25x1.5	Y307BA2F0000000T
50	0	20	M25x1.5	Y307500F1200000T	1½"BSPP	0	20	0	Y307BA201200000T
50	0	25	0	Y30750001250000T	1½"BSPP	0	20	10	Y307BA2A1200000T
50	0	25	10	Y307500A1250000T	1½"BSPP	0	20	23.5	Y307BA2D1200000T
50	0	25	23.5	Y307500D1250000T	1½"BSPP	0	20	M25x1.5	Y307BA2F1200000T
50	0	25	M25x1.5	Y307500F1250000T	1½"BSPP	0	25	0	Y307BA201250000T
50	0	M20x1.5	0	Y30750001T00000T	1½"BSPP	0	25	10	Y307BA2A1250000T
50	0	M20x1.5	10	Y307500A1T00000T	1½"BSPP	0	25	23.5	Y307BA2D1250000T
50	0	M20x1.5	23.5	Y307500D1T00000T	1½"BSPP	0	25	M25x1.5	Y307BA2F1250000T
50	0	M20x1.5	M25x1.5	Y307500F1T00000T	1½"BSPP	0	M20x1.5	0	Y307BA201T00000T
50	0	M25x1.5	0	Y30750001T50000T	1½"BSPP	0	M20x1.5	10	Y307BA2A1T00000T
50	0	M25x1.5	10	Y307500A1T50000T	1½"BSPP	0	M20x1.5	23.5	Y307BA2D1T00000T
50	0	M25x1.5	23.5	Y307500D1T50000T	1½"BSPP	0	M20x1.5	M25x1.5	Y307BA2F1T00000T
50	0	M25x1.5	M25x1.5	Y307500F1T50000T	1½"BSPP	0	M25x1.5	0	Y307BA201T50000T
50	20	20	0	Y30750002200000T	1½"BSPP	0	M25x1.5	10	Y307BA2A1T50000T
50	20	20	10	Y307500A2200000T	1½"BSPP	0	M25x1.5	23.5	Y307BA2D1T50000T
50	20	20	23.5	Y307500D2200000T	1½"BSPP	0	M25x1.5	M25x1.5	Y307BA2F1T50000T
50	20	20	M25x1.5	Y307500F2200000T	1½"BSPP	20	20	0	Y307BA202200000T
50	25	25	0	Y30750002250000T	1½"BSPP	20	20	10	Y307BA2A2200000T
50	25	25	10	Y307500A2250000T	1½"BSPP	20	20	23.5	Y307BA2D2200000T
50	25	25	23.5	Y307500D2250000T	1½"BSPP	20	20	M25x1.5	Y307BA2F2200000T
50	25	25	M25x1.5	Y307500F2250000T	1½"BSPP	25	25	0	Y307BA202250000T
50	M20x1.5	M20x1.5	0	Y30750002T00000T	1½"BSPP	25	25	10	Y307BA2A2250000T
50	M20x1.5	M20x1.5	10	Y307500A2T00000T	1½"BSPP	25	25	23.5	Y307BA2D2250000T
50	M20x1.5	M20x1.5	23.5	Y307500D2T00000T	1½"BSPP	25	25	M25x1.5	Y307BA2F2250000T
50	M20x1.5	M20x1.5	M25x1.5	Y307500F2T00000T	1½"BSPP	M20x1.5	M20x1.5	0	Y307BA202T00000T
50	M25x1.5	M25x1.5	0	Y30750002T50000T	1½"BSPP	M20x1.5	M20x1.5	10	Y307BA2A2T00000T
50	M25x1.5	M25x1.5	10	Y307500A2T50000T	1½"BSPP	M20x1.5	M20x1.5	23.5	Y307BA2D2T00000T
50	M25x1.5	M25x1.5	23.5	Y307500D2T50000T	1½"BSPP	M20x1.5	M20x1.5	M25x1.5	Y307BA2F2T00000T
50	M25x1.5	M25x1.5	M25x1.5	Y307500F2T50000T	1½"BSPP	M25x1.5	M25x1.5	0	Y307BA202T50000T
M45x2	0	0	0	Y307M45000000000T	1½"BSPP	M25x1.5	M25x1.5	10	Y307BA2A2T50000T
M45x2	0	0	10	Y307M45A00000000T	1½"BSPP	M25x1.5	M25x1.5	23.5	Y307BA2D2T50000T
M45x2	0	0	23.5	Y307M45D00000000T	1½"BSPP	M25x1.5	M25x1.5	M25x1.5	Y307BA2F2T50000T